

**RH AMBIO  
BLACK  
EDITION**





Elegance and aesthetic appeal begin, continue and end with black: Black-tie. The little black dress. Even nature itself has grasped the concept and contributed the black panther. And naturally, the chair world deserves its own equivalent. This is why we are now launching the RH Ambio Black Edition. The latest model in the Ambio range developed in close collaboration with the Zenith Design Group for those who demand style with their comfort.





The seat and backpads of the RH Ambio Black Edition are made using Ventec™. A unique product, developed by RH, with an unsurpassed capacity to transport moisture and heat. This ensures your comfort throughout the day. In addition, Ventec™ is biodegradable. Which is good news for the environment.

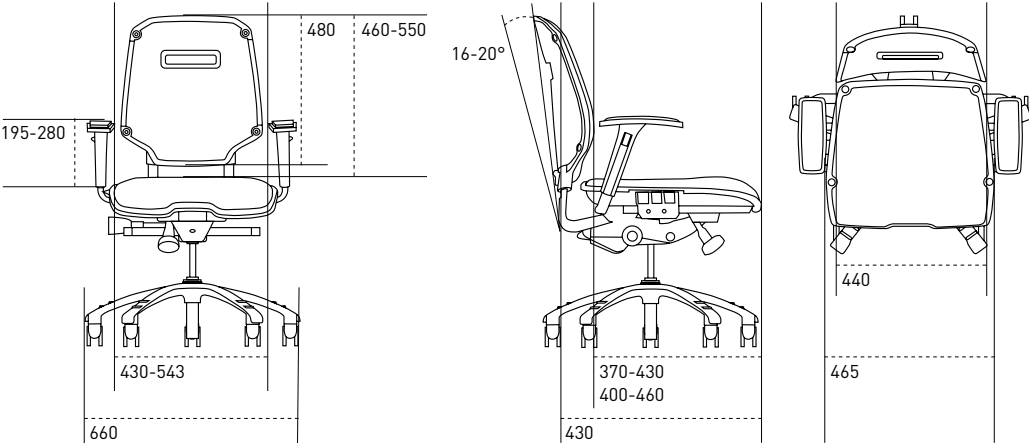
## RH Ambio Black Edition Specification

- Black Move 9105 fabric or perforated black leather
- Upholstered backshell in the above fabric or leather option
- Castors for hard floors

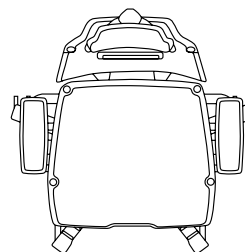
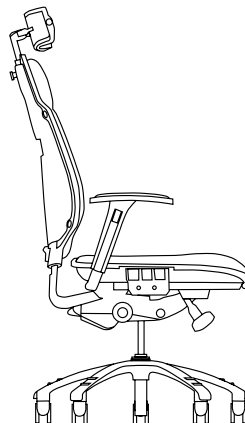
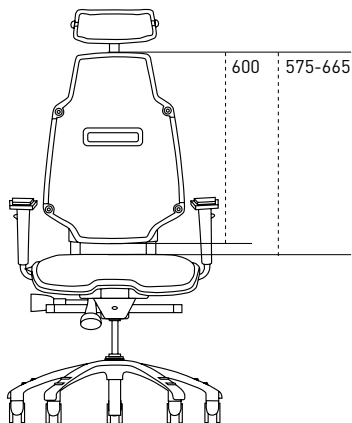
### **Options**

- Neckrest for the RH Ambio 220/222
- Armrest upholstered in perforated black leather
- Black coat hanger
- Lockable box
- Detachable soft case

# RH Ambio 200



## RH Ambio 220



Måttangivelser i mm  
Measurements in mm  
Måttangivelser i mm  
Dimensions en mm  
Åfmetingen in mm



[www.rhchairs.co.uk](http://www.rhchairs.co.uk)



[www.zenitdesign.se](http://www.zenitdesign.se)



